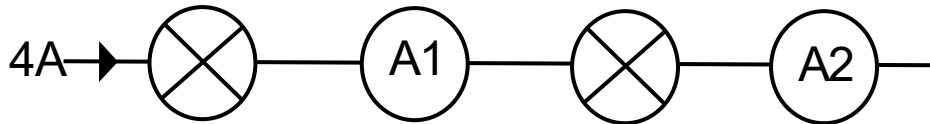
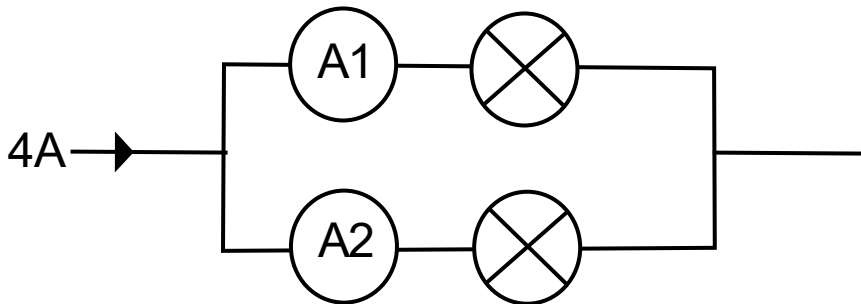


Homework task on circuit rules

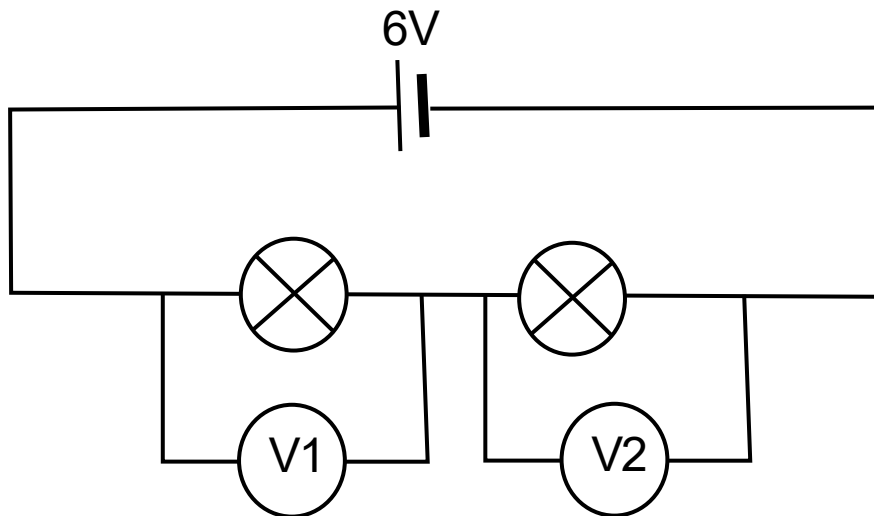
- (a) Name the circuit below.
(b) What is the current on the two ammeters.



- (a) Name the circuit below.
(b) Work out the current on the two ammeters. The bulbs are identical.



- (a) Write down the voltage on the two voltmeters in the circuit below. The bulbs are identical.
(b) Suppose a third bulb is added what will the voltmeters read now?



4. a) What will the voltage reading be on each voltmeter, V1 and V2?
b) Suppose a third bulb is added, what will the voltage read now?

